

PLASTIC GEARMOTOR SERIES 262

Standard shaft



SERIES 262
24V DC

Standard shaft



SERIES 262
24/117/230V AC

Standard shaft with cam and microswitch



SERIES 262 WITH CAM & MICROSWITCH
24/117/230V AC

TYPICAL APPLICATIONS

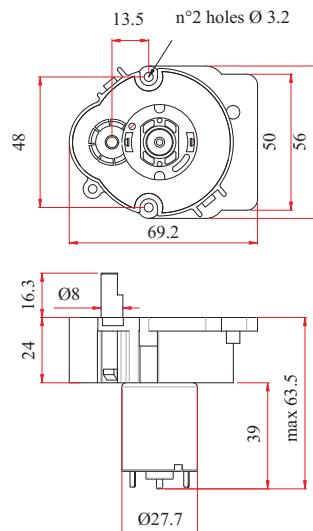
- Hot and cold beverage machines
- In Cup machines
- Electro-mechanical apparatus
- Peristaltic Pumps

CHARACTERISTICS

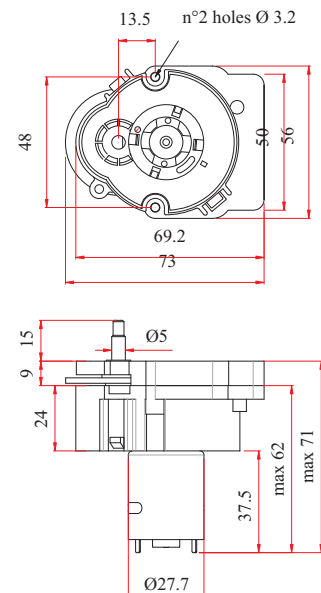
- The gears within the gearbox, depending on the type, are made of Plastic in POM and metal.
- The gearbox is produced in either PC or PA glass reinforced and PA glass reinforced version V0.
- Available with built-in microswitch and command cam for rotational control.
- Supplied with standard output shaft "D" Ø8 x 6 mm without cam, and with standard "output shaft "D" Ø5 x 4mm with cam and microswitch.

Power supply:

- 24V DC/AC;
- 117V AC 50/60 Hz;
- 230V AC 50/60 Hz.

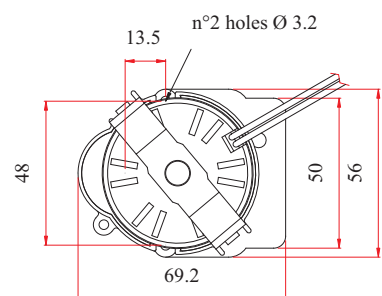


SERIES 262
24V DC

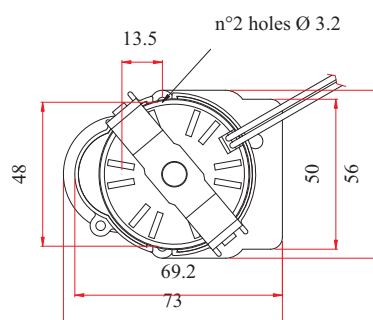


SERIES 262 WITH CAM & MICROSWITCH
24V DC

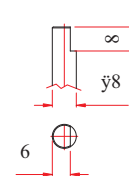
PLASTIC GEAR MOTOR SERIES 262



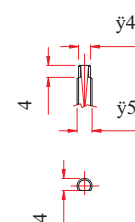
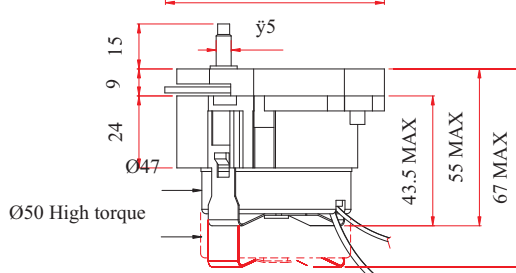
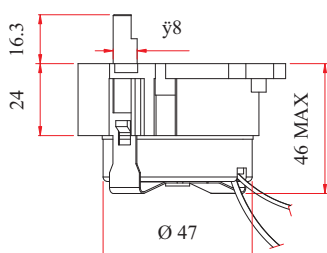
SERIES 262
24/117/230V AC



SERIES 262 WITH CAM & MICROSWITCH
24/117/230V AC



STANDARD SHAFT



STANDARD SHAFT WITH CAM AND MICROSWITCH

PERFORMANCES

24V DC	OUTPUT (RPM)	STALL TORQUE (Ncm)	24/117V AC 60HZ	OUTPUT (RPM)	STALL TORQUE (NCM)	24/117/230V AC 50HZ	OUTPUT (RPM)	STALL TORQUE (NCM)
	4	190		STANDARD MOTOR	0,95		150	STANDARD MOTOR
15	145	STANDARD MOTOR	6	28	STANDARD MOTOR	5	35	
36	130	HIGH TORQUE	6	90	HIGH TORQUE	5	90	
		STANDARD MOTOR	12	14	STANDARD MOTOR	10	17	
		HIGH TORQUE	12	45	HIGH TORQUE	10	45	

TECHNICAL DATA

- Ambient temperature 4 - 60 °C.
- Compliant with RoHS directive 2011/65/EU