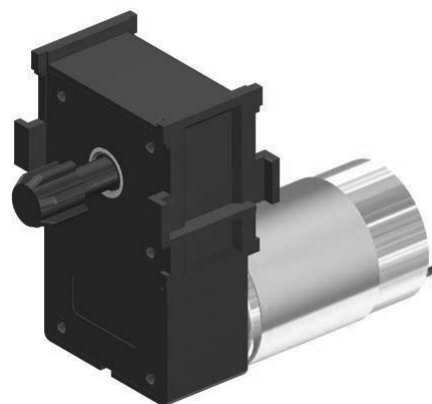


## GEARMOTORS SERIES 263 / 273



**SERIES 263**  
12/24 VDC



**SERIES 273 QUICK FIT**  
12/24 VDC

Series 263 / 273 gearmotors offer a valid and economic alternative to standard metal gearmotors. Series 273 is distinguished for its innovative Quick-fit assembly.

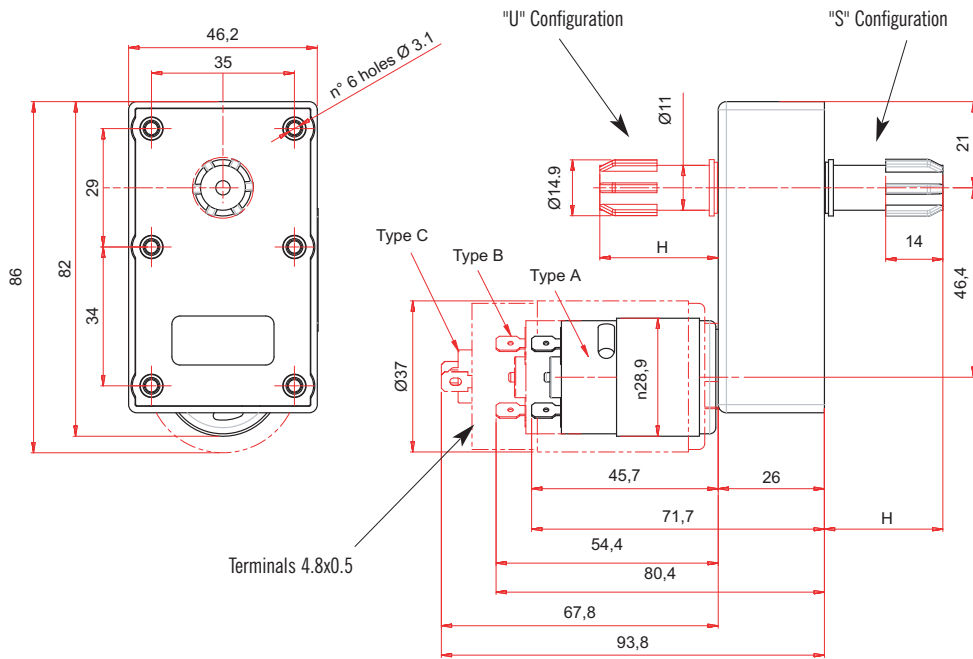
### TYPICAL APPLICATIONS

- Hot beverage Machines;
- In Cup Machines;
- Electro-Mechanical Apparatus;
- Peristaltic Pumps.

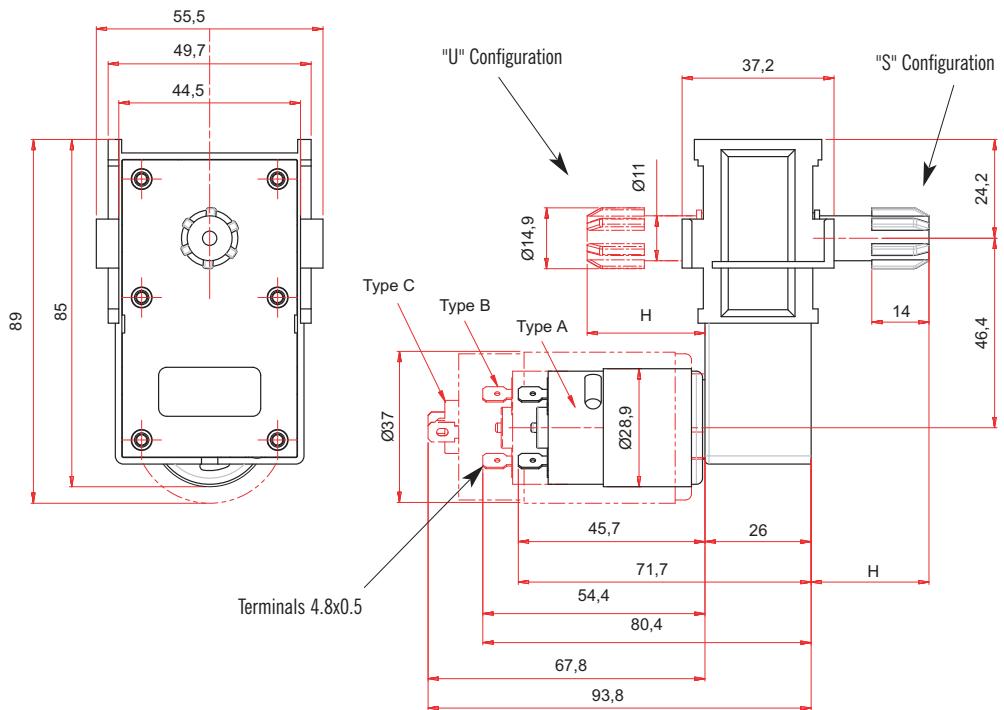
### CHARACTERISTICS

- The gears within the gearbox are all made of plastic POM.
- The gearbox casing is made of Glass filled Nylon PA.
- Wide choice of different lengths of shaft in Polycarbonate PC or PA glass reinforced that can be fitted in "S" or "U" configuration. (Plug-in)
- Possibility of different shafts on request.
- Three different sizes of DC motors available.
- Personalized solutions for wiring harnesses, terminals and connectors.
- Encoders available on request.
- New and innovative Quick-fit assembly on the 273 series gearmotor eliminates the need for screws thus reducing installation and maintenance time.

## GEARMOTORS SERIES 263 / 273



**SERIES 263**

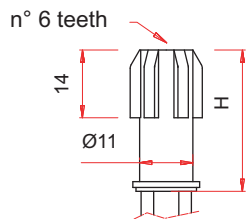


**SERIES 273 - QUICK FIT**

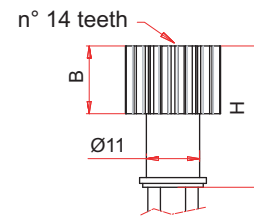
## GEARMOTORS SERIES 263 / 273

### SHAFTS AVAILABLE

STD SHAFT (H)
16
21
*25
29
44
60



STD SHAFT Z14	
(H)	(B)
12	10
16	14
29	14



\* Special plug-in

Other shafts on request.

### PERFORMANCES

24VDC TYPE A/B/C	OUTPUT(RPM)	STALLING TORQUE (Kgcm)	NO LOAD ABSORPTION (A)	STALLING ABSORPTION (A)
A	30	32	0,08	0,6
A	50	20	0,09	0,6
A	90	11,5	0,08	0,6
C	100	29	0,13	2,1
A	115	21	0,13	1,6
A	130	12,5	0,09	0,9
B	130	19	0,09	1,8
A	145	27	0,17	2,6
A	160	10	0,09	0,9
A	220	19	0,14	2,4
OTHER ON REQUEST	OTHER ON REQUEST	OTHER ON REQUEST	OTHER ON REQUEST	OTHER ON REQUEST

Available versions with motor powered in 12VDC.

### TECHNICAL DATA

- Ambient Temperature 4 - 60 °C.
- Compliant with RoHS directive 2011/65/EU

COMPONENTI VENDING S.PA RESERVE RIGHT TO MODIFY THE PRESENT PRODUCT EVERY MOMENT AND WITHOUT NOTICE.

3 OF 3